

[www.hazalguvenlik.net](http://www.hazalguvenlik.net)



## **Electromechanic Arm Barrier**

**( 3000 mm )**

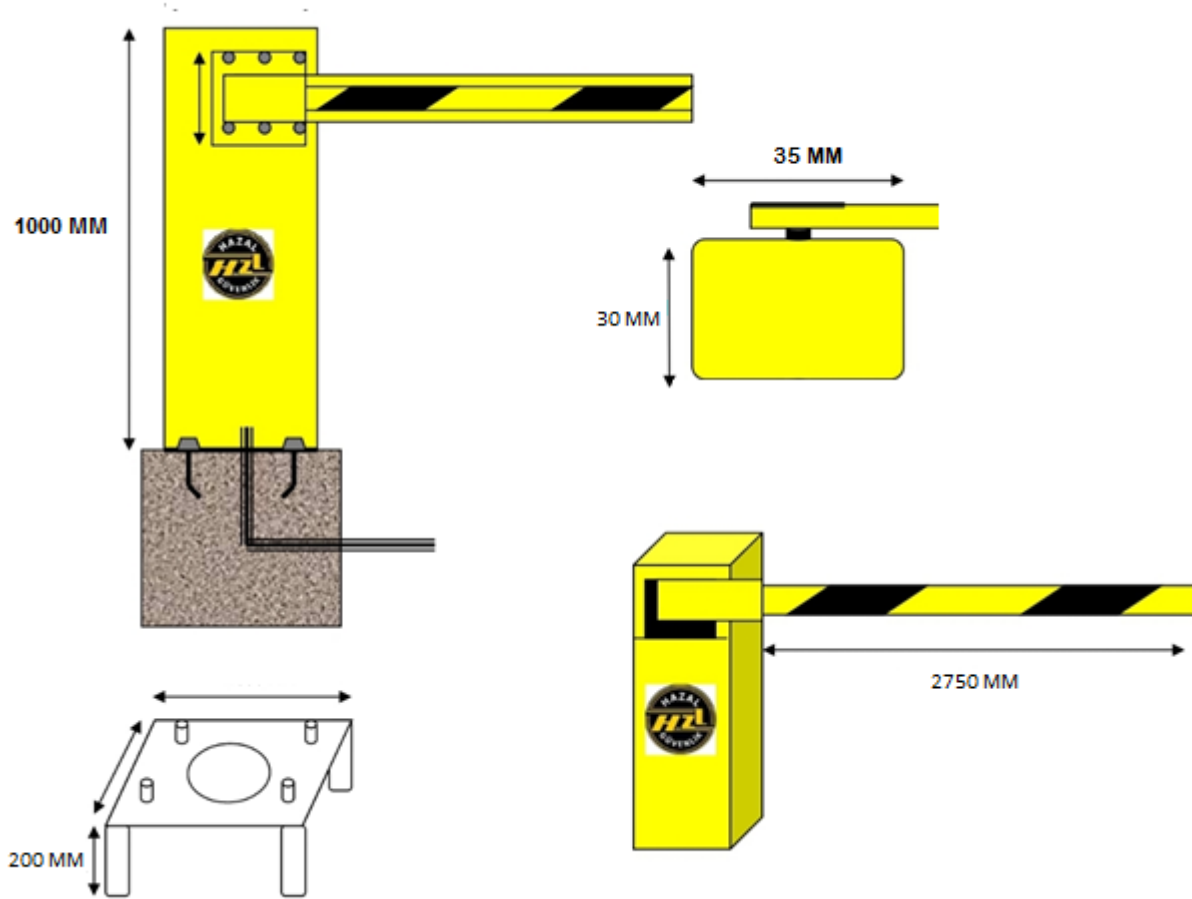
**Data Sheet**

[www.hazalguvenlik.net](http://www.hazalguvenlik.net)

## Electromechanic Arm Barrier ( 3000 mm )



DRIVE	Electromechanic
BARRIER DIMENSIONS	1000X340X220
CLOR	Gray color RAL 7015
PROTECTION COATING	ELECTROSTATIC OVEN PAINT
BEARING	ALUMİNUM
POWER SUPPLY	230 W- 24 V / 50/60 Hz.
ARM DIMENSIONS	3000 MM ALUMİNUM 4 mm
CONSUMPTION	MAX 750 W
PROTECTION CLASS	IP 54
CONTROL PANEL	Electronic Control Card
CONTROL	Remote Control (option)
SAFETY SENSOR	Photocell ( optional)
OPERATION TEMPERATURES	+ 65 °C / - 20 °C
WORKING FREQUENCY	Heavy Duty With 8000 / Day Move Movement
MANUAL OPERATION	Manual Hand Switch on-off
OPERATION	Remote Control , RFID , Camera , Proximty Card , Button ( optional )
ARMREST	1 MT STEEL FORK LEG ( optional )
CERTIFICATION	CE , ISO 9001 : 2008
WARRANTY	1 Years



[www.hazalguvenlik.net](http://www.hazalguvenlik.net)



Doğuş Mah Ballıbaba Sok No : 67/3 K.Esat / Çankaya / ANKARA

Tif : + 90 312 478 2028 – + 90 312 482 0484

[www.hazalguvenlik.net](http://www.hazalguvenlik.net) - [info@hazalguvenlik.net](mailto:info@hazalguvenlik.net)

[www.hazalguvenlik.net](http://www.hazalguvenlik.net)